



Readymade Toilet Blocks and Ladies Urinals

The Supreme is an acknowledged leader of India's plastic industry. With a portfolio of over 7500 diverse products, the most comprehensive range in the industry, we cater to almost every conceivable need and application of the customer in piping. While helping the country transit from conventional to modern piping, we have several path breaking products to our credit making us a trend setter in the industry.

After successfully introducing "Nu-Drain underground drainage system" and "Safeguard readymade septic tanks", we are pleased to introduce yet another innovative and useful product i.e. mobile readymade toilet blocks and ladies urinals. These products are introduced under the brand name "Cleanage". These superior products offer multiple advantages and are in line with central Govt's initiatives to provide sanitation for all and will certainly enhance the quality of life by improving quality of sanitation across the country.



Unique features

- Can be installed and put to use without any loss of time
- Complete in all respects with required traps, plumbing accessories and electrical connections
- Light weight yet strong and sturdy
- Easy and quick installation
- Elegant look
- Easy to clean and maintain
- Long life

Supreme readymade toilet blocks and ladies urinals are design to provide a readymade solution which can be directly installed without any need of construction. These useful products are designed considering all functional requirement can be used at various places along with radymade septic tanks. Thus lot of time and efforts are saved and the product can be immediately brought to use.

Manufactured using virgin raw material these toilet blocks are free from any corrosion or chemical reactiveness. As the surface is smooth it is very easy to wash and clean. It is provided with circular vent opening on roof and louvers for free air circulation to provide effective ventilation.

Technical specifications

Overall dimensions : 2450 x 1080 x 930 (HxWxB)
Size of outlet : 110mm (for toilet block)
75mm (for ladies urinal)

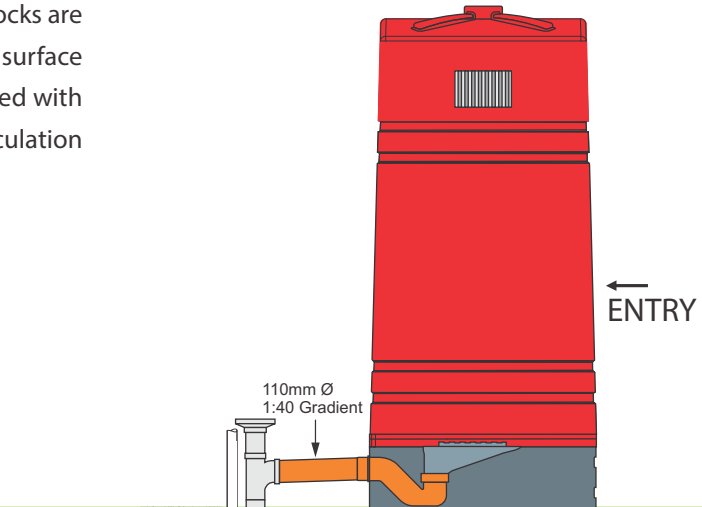
Installation procedure

1. Select the suitable place for installation of toilet block.
2. Provide 6" thick PCC beneath the bottom of toilet block.
3. Place the toilet block on PCC.
4. Construct 9" thick brick wall of 6" height around the toilet block.
5. Connect drain pipe to the outlet of P-trap
6. Fill up the gap between brick wall and wall of the toilet block by rich mortar or PCC with crushed glass. Alternatively toilet blocks can be anchored to the firm base using clit clamps
7. Connect the toilet block with septic tank and complete the water and electric connections.
8. Extend the outlet pipe of septic tank up to disposal point. i.e. Soak pit or drain field.
9. Plaster and finish the masonry work properly.

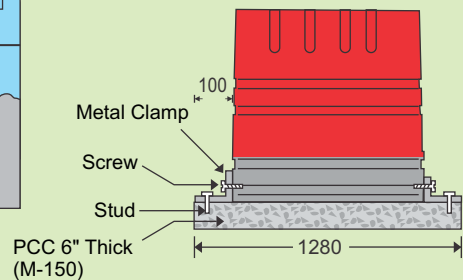
Applications

- Rural sanitation
- Constructions sites
- Schools and hospitals
- Public places in municipal areas
- Sporting events
- Different events and religious gatherings like Kumbh melas etc.
- Military camps
- Park and gardens

Typical Installation



Installation using metal clamps



Installation using masonry work

