

INTRODUCING

uPVC Ball Valves

For Water supply and Irrigation application...

The Supreme Industries Ltd., is an acknowledged leader of India's plastic industry. It is credited with pioneering several path breaking products and has valuable experience in providing innovative and cost effective piping solution. The innovative product portfolio offered by Supreme is extensive in range and application and comprises a variety of pipes and a vast spectrum of fittings totaling over 8000 diverse products.

After successfully introducing many innovative and value added products, we are now proud to introduce the most useful and good quality "uPVC ball valves." Designed keeping in mind precision and functional requirements like smooth operation, water tightness, strength and durability. These valves are functionally much superior against alternative products available in the market at reasonably good price. These valves offers many outstanding features and are available in 20, 25 and 32mm sizes in PN 10 and 40, 50, 63 and 75mm sizes in PN 6 pressure class.



- Made using 100% virgin raw material • Unique compact design • 100% factory tested
- Durable to last a lifetime • Suitable for 6/10 bar pressure • Easy and reliable solvent cement type joints

Jeevan bhar ka saath...

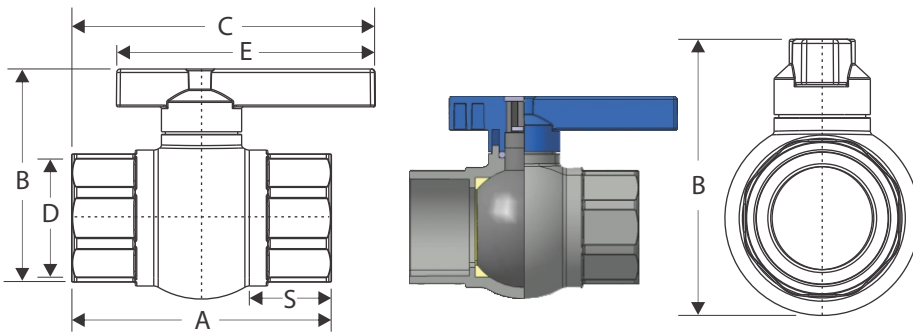
Unique features

- **Strong, sturdy and durable** - Precision moulded valves made from virgin uPVC are strong enough to withstand rated working pressure and various mechanical forces that it has to counter during its service life.
- **Unique compact design** - Single piece construction, designed keeping in mind precision and functional requirements to offer various advantages.
- **High pressure rating** - 20, 25 and 32mm size valves are designed for 10 bar whereas 40 to 75mm sizes are design for 6 bar pressure.
- **100% factory tested** - Each and every valve is tested to ensure trouble free performance.
- **Smooth handle movement** - Dimensions of ball and sealing rings are designed to ensure smooth movement of handle for better flow regulations.
- **Easy and reliable joints** - These valves are provided with solvent weld type joints for quick and reliable installation.
- Conforms to national and international standards

Applications

Suitable for potable water and irrigation systems, beverages and other fluids, industrial plants, swimming pool installation, conveyance of various chemicals etc.

Dimensions of Ball Valve



Size (mm)	Size (inch)	PN	A	B	C	D	E	S	F
20	½"	10	65.0	56.1	82.5	20.0	75.0	17.5	36.0
25	¾"	10	78.0	71.0	99.1	25.0	90.0	20.5	41.0
32	1"	10	90.0	78.9	113.0	32.0	102.0	23.5	53.5
40	1¼"	6	105.0	88.0	136.5	40.0	124.0	27.5	63.0
50	1½"	6	124.5	104.5	161.5	50.0	147.8	32.5	74.0
63	2"	6	149.0	122.2	173.8	63.0	147.8	39.0	93.0
75	2½"	6	178.0	142.3	243.3	75.0	197.3	45.0	111.0

Components of Ball Valve

